

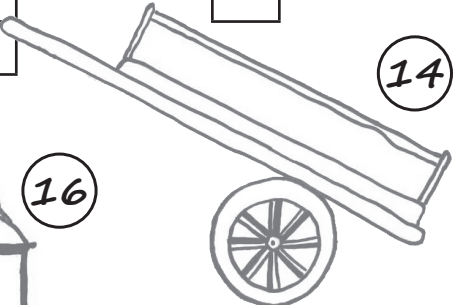
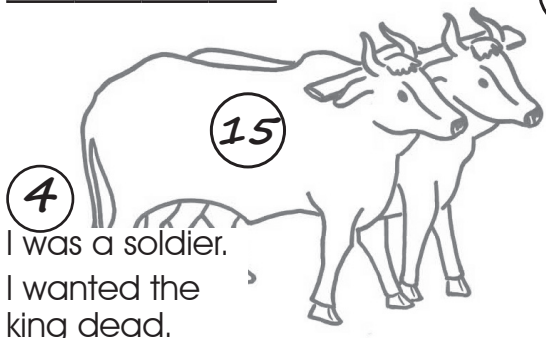
Fill all your answers into the crossword puzzle.

- 1** I was a king. I fought for the king. **2** I did a job for a king.
 I was jealous. I fell asleep when I shouldn't have. Everyone was happy.
 I had a javelin. I allowed some things to be stolen. I walked beside a cart.
 I died fighting. The king was sorry that day. I touched something I shouldn't have.

Who? am I?



What? am I?



- 4** I was a soldier. I wanted the king dead. I crept into the king's camp at night. I took some things from beside the king.
- 5** My father was king. He hated my husband. I helped my husband run away.
- 6** I don't fight. My job is serving God. I had a special job when something had gone wrong.
- 7** I lived in the royal palace. There was fighting so I ran away. I dropped a little boy. I saved his life though.

- 8** My father was a king. I wasn't a fighting man. I was anointed king by Samuel. One of my jobs was to build. I was involved in a lot of fighting. A descendant of mine was going to build as well. I danced.
- 9** My father was a king. I was never going to be king. My sister married my best friend. I died in battle.
- 10** My grandfather was a king. There was war when I was a little boy. A lady saved my life. I am a cripple.
- 11** I saved his life though.

Some references and answers for lessons 49-53 and Quiz Week

Lesson 49. 1 Samuel 24 and 26

Word Jumble - I have not sinned against you, though you hunt my life to take it.

Lesson 50. 1 Samuel 31:1-6; 2 Samuel 1

Killer Confusion - Who killed Saul? Saul, The Philistines wouldn't be a wrong answer.

Who else died that day? Jonathan, Saul's other two sons, Saul's armourbearer. Some Philistines probably also died. The Amalekite died later.

Who wouldn't kill Saul? An Amalekite, David.

Crack the Code - Saul and his armour bearer, Jonathan, Abinadab and Malchishua.

I grieve for you Jonathan my brother you were very dear to me.

Lesson 51. 2 Samuel 5:1-12; 6

After Saul and his two sons were killed on Mount Gilboa, the people came to Hebron and anointed David to be king. David wanted Jerusalem to be the capital city so he sent his men to capture it from the Jebusites. David wanted to bring the ark to Jerusalem. They put the ark of God on a cart pulled by oxen but one stumbled so Uzzah put out his hand to catch it and he died. The ark was left in the house of Obed Edom because everyone was upset about what had happened. Obed Edom was blessed by God.

When they brought the ark to Jerusalem the third time it was carried on poles by Levites. David danced and sang in praise to God but Michal despised him.

Two the same - the 4th and the 6th are the same.

Lesson 52. 1 Chronicles 17

Words for Wordsearch - HOUSE, TENT, TEMPLE, DAVID, NATHAN, SOLOMON, HIRAM, JESUS.

What David said - Be strong and courageous. Do not be afraid or dismayed. God will not leave you or forsake you until the temple is finished.

Lesson 53. 2 Samuel 4:4; 9

Quiz week

Who am I? - 1 Saul, 2 Abner, 3 Uzzah, 4 Abishai, 5 Michal, 6 Levite, 7 nurse, 8 Solomon, 9 David, 10 Jonathan, 11 Mephibosheth.

What am I? - 12 water jug, 13 sword, 14 cart, 15 oxen, 16 ark, 17 cave.