

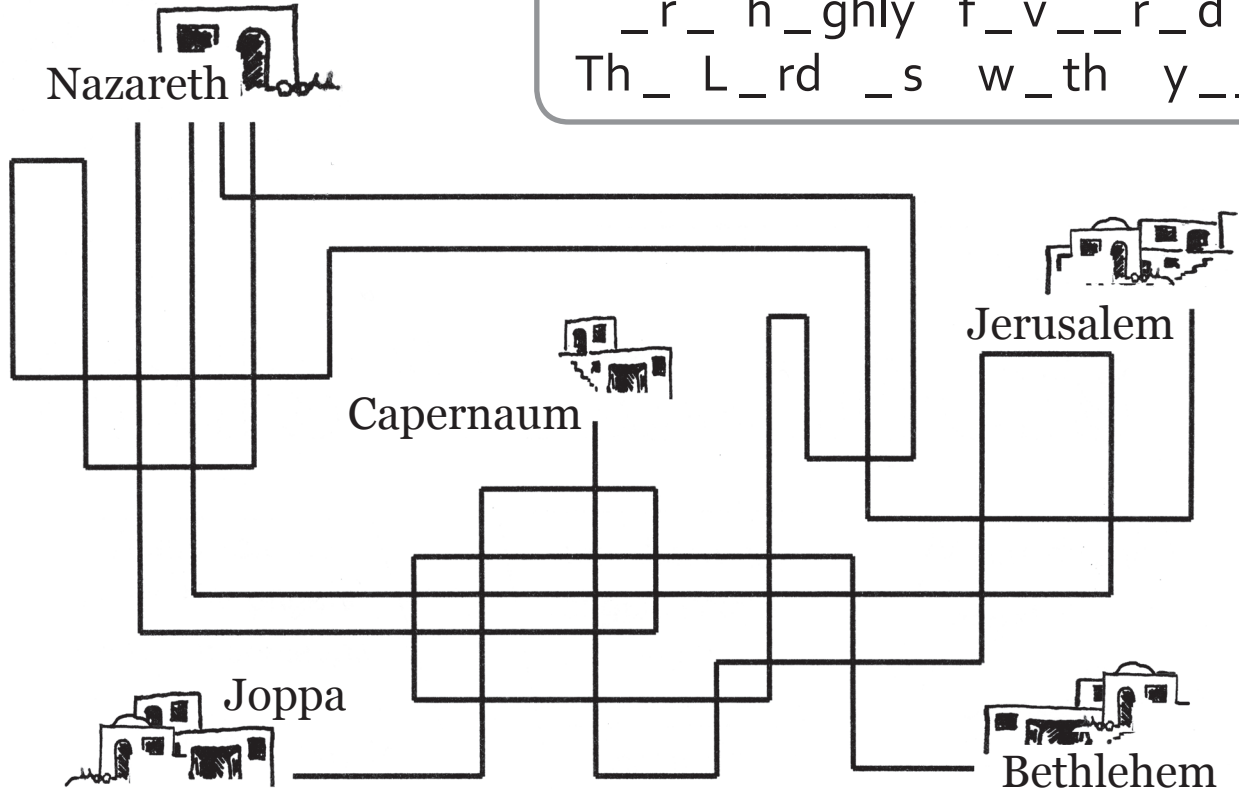
The birth of Jesus



Where did Mary and Joseph go for Jesus to be born?

Put the vowels in this message

Gr__t__ngs, y__ wh__
r h_ghly f_v__r_d.
Th_ L_rd _s w_th y__.



Now tell the story of the birth of Jesus in pictures

| | | |
|-----------------|---------------------|---------------------------|
| No room | Laid in a manger | Angels tell the shepherds |
| Shepherds visit | Taken to the temple | With Simeon and Anna |

God's messengers

Some angels
told Abraham about
the son he would have
(Genesis 18).
What did they look
like (v2)?



<http://thebiblerevival.com>

Jesus told us
what angels do when
someone admits they
have done wrong.
What is it?
(Luke 15 v 10)

"Behold, I
send an angel
before you to
guard you on
the way and
to bring you
to the place
that I have
prepared.
Exodus 23v20

Are there any
angels around you?
(Psalm 34 v 7)

And an angel
of the Lord
appeared to
them, and the
glory of the
Lord shone
around them,
and they
were filled
with fear.
Luke 2v9

What did
an angel do in
Gethsemane?
(Luke 22 v 43)

Gabriel and Michael are special angels. In Daniel 8 v 16-18 **Gabriel** appeared to Daniel. Then 500 years later, in Luke 1 v 18-19 and v 26-27, Gabriel appeared to **and to** You can read about **Michael** in the books of Daniel, Jude and Revelation.

Some readings for next week:

| | | | |
|-----------|--------|--------------|---|
| Sunday | Luke 1 | verses 26-31 | At the birth of Jesus what did the angels, the shepherd, and Simeon all do? |
| Monday | Luke 2 | verses 1-5 | What did Anna do? |
| Tuesday | | verses 6-9 | Do you try to praise God and tell others? |
| Wednesday | | verses 10-15 | |
| Thursday | | verses 16-20 | |
| Friday | | verses 25-29 | |
| Saturday | | verses 36-38 | |